

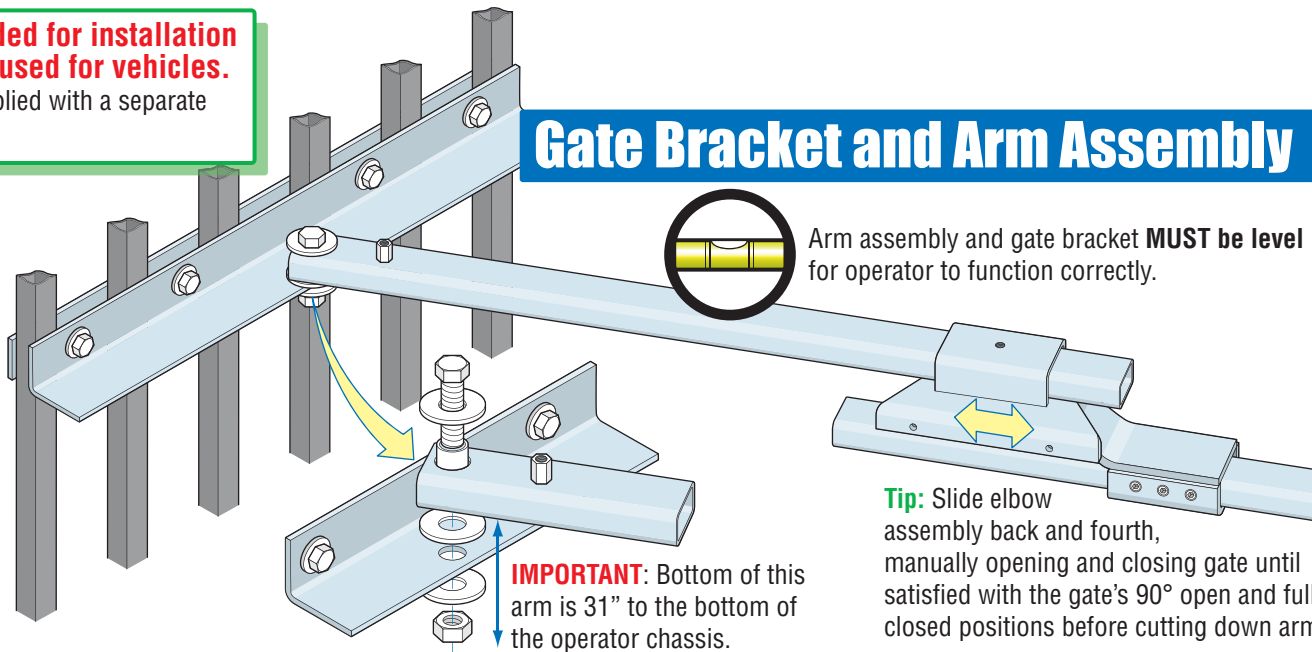
# QUICKSTART "BASIC" GUIDELINES FOR MODEL 6500 - FOR GATES UP TO 12 FEET AND OPENING 90°



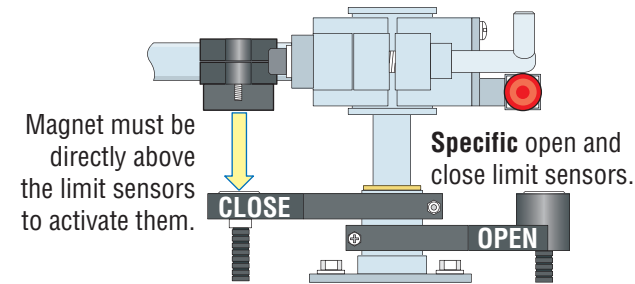
120 Glasgow Avenue  
Inglewood, California 90301  
U.S.A.

**Model 6500 is intended for installation only on swing gates used for vehicles.** Pedestrians must be supplied with a separate access opening.

For safety and installation instructions, please refer to the owner's manual.



## Limit Sensors



## Manual Release Tool

**CAUTION**  
NEVER REMOVE HUB after manual release

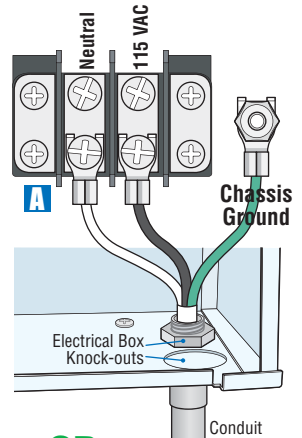
## AC Power Connection

**OPERATOR MUST BE PROPERLY GROUNDED!!**  
**Tip:** It is recommended that a surge suppressor be installed on the high voltage power lines.

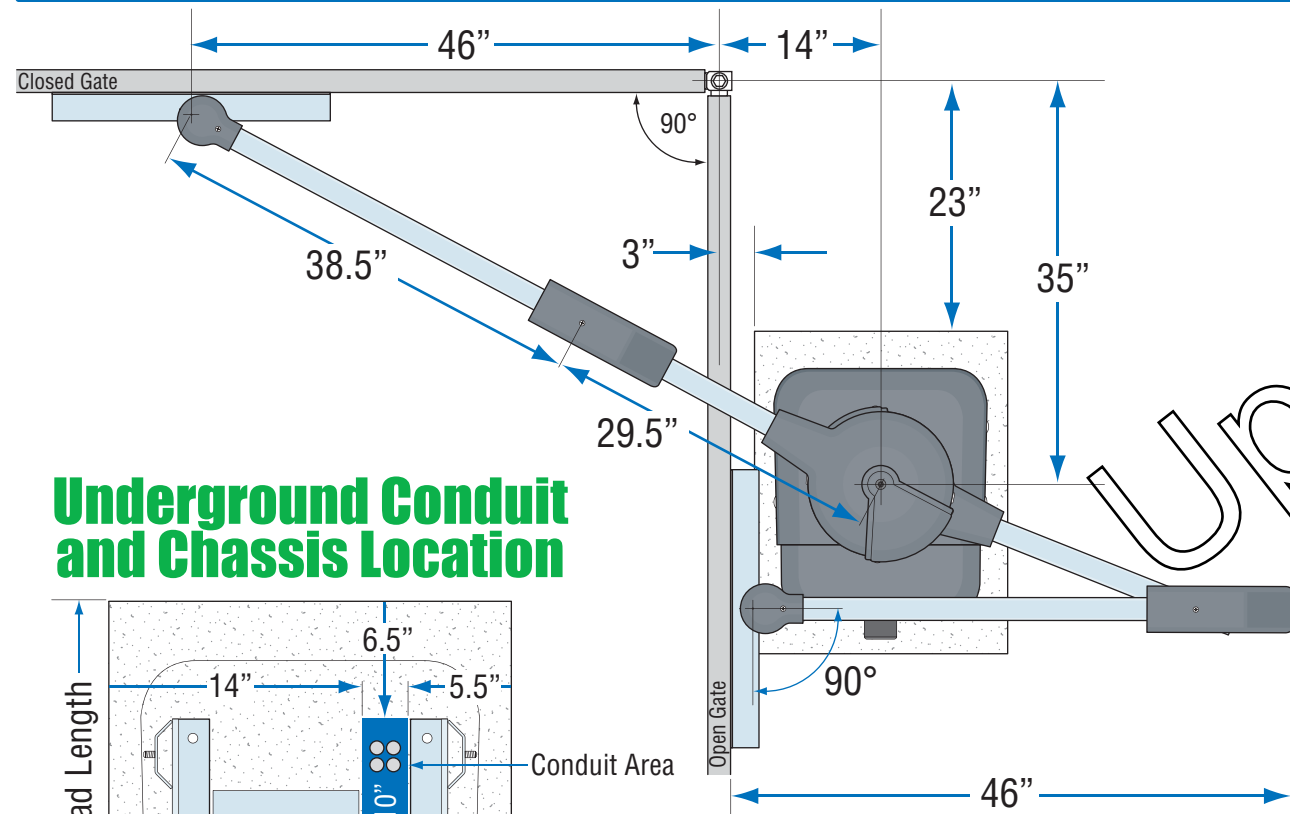
**DANGER**  
HIGH VOLTAGE!

**115 VAC**

**CAUTION**  
Limit sensors **MUST** be in position **BEFORE** cycling operator the first time.



## Size and Location of Concrete Pad, Operator and Underground Conduit



## Concrete Pad

Concrete pad **MUST be level!**

**Tip:** Bevel the edges of concrete pad to eliminate water puddling under the operator.

## Concrete Depth

4" minimum above ground.

This depth of the concrete pad is determined by soil conditions and local building codes (reinforced concrete recommended).

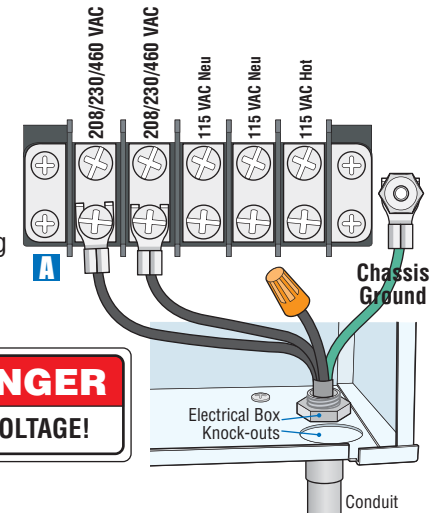
**Tip:** Allow concrete to cure **completely** before attaching operator to pad (48 hours).

## DIP-Switches

- SW 1
- 1. ON - Opens Clockwise
  - 2. OFF
  - 3. OFF
  - 4. OFF
  - 5. OFF
  - 6. OFF
  - 7. OFF
  - 8. OFF
- SW 2
- 1. OFF
  - 2. OFF
  - 3. OFF
  - 4. OFF

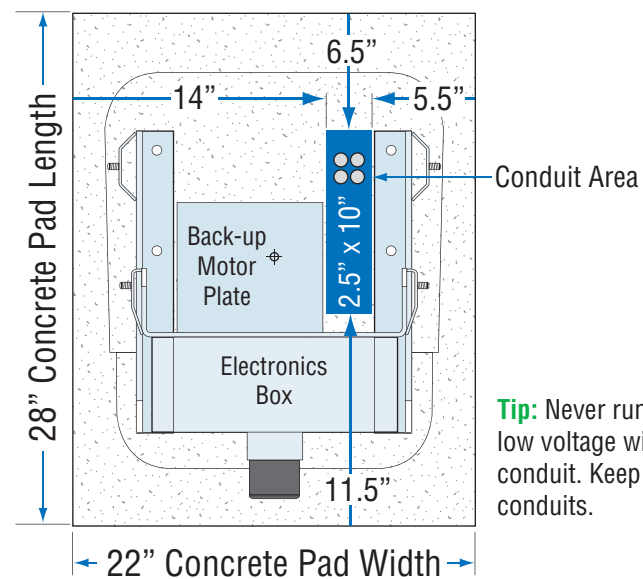
**Auto Close Timer**  
Adjust 1 to 23 sec.

**OR**  
**208 / 230 / 460 VAC**



**DANGER**  
HIGH VOLTAGE!

## Underground Conduit and Chassis Location



**Tip:** Never run high voltage and low voltage wires in the same conduit. Keep them in separate conduits.

## Loop Detectors

**B** Not included - Refer to the Owner's manual and Loop Information Manual (available from [www.dkaccess.com](http://www.dkaccess.com)) for more information on loops and loop detectors.

## Radio Receiver

**C** Not included - Refer to a specific Radio Receiver Manual (available from [www.dkaccess.com](http://www.dkaccess.com)) for more information on radio receivers and antenna installation.